

C200S Microturbine

Liquid Petroleum Gas (LPG)



World's largest air-bearing microturbine produces 200kW of clean, green, and reliable power.

- + Ultra-low emissions
- + One moving part – minimal maintenance and downtime
- + Patented air bearings – no lubricating oil or coolant
- + Integrated utility synchronization – no external switchgear
- + Compact modular design allows for easy, low-cost installation
- + Multiple units easily combined – act as single generating source
- + Remote monitoring and diagnostic capabilities
- + Proven technology with tens of millions of operating hours
- + Various Factory Protection Plans available



C200S Microturbine

Electrical Performance⁽¹⁾

Electrical Power Output	200kW
Voltage	400/480 VAC
Electrical Service	3-Phase, 4 Wire Wye
Frequency	50/60 Hz
Electrical Efficiency LHV	33%

Fuel/Engine Characteristics⁽¹⁾⁽²⁾

Liquid Petroleum Gas (LPG) HHV	91.3 – 106.2 MJ/m ³ (2,450 – 2,850 BTU/scf)
Inlet Pressure	517 – 551 kPa gauge (75 – 80 psig)
Fuel Flow HHV	2,400 MJ/hr (2,280,000 BTU/hr)
Net Heat Rate LHV	10.9 MJ/kWh (10,300 BTU/kWh)

Exhaust Characteristics⁽¹⁾

Exhaust Mass Flow	1.3 kg/s (2.9 lbm/s)
Exhaust Gas Temperature	280°C (535°F)

Dimensions & Weight⁽³⁾

Width x Depth x Height ⁽⁴⁾	3.0 x 2.5 x 2.9 m (117 x 100 x 114 in)
Weight - Grid Connect Model	5,200 kg (11,400 lbs)
Weight - Dual Mode Model	5,850 kg (12,900 lbs)

Reliable power when and where you need it. Clean and simple.

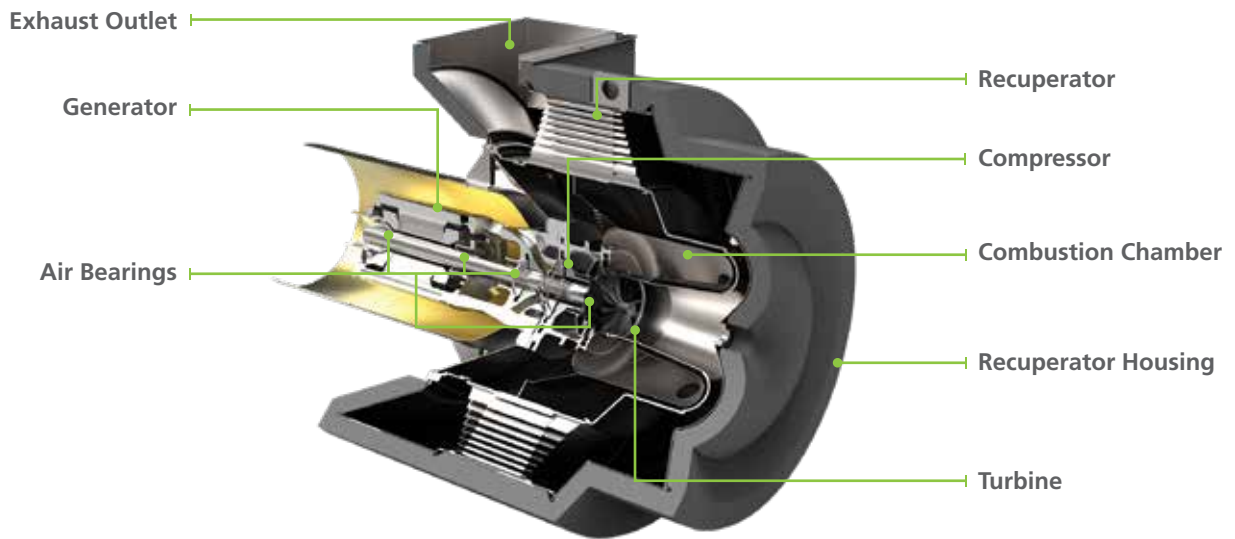
Minimum Clearance Requirements⁽⁵⁾

Horizontal Clearance	
Left	1.5 m (60 in)
Right	0.0 m (0 in)
Front	1.7 m (65 in)
Rear	2.2 m (85 in)

Certifications

- Certified to the following grid interconnection standards: UL 1741, VDE, BDEW and CEI-16
- Compliant to California Rule 21

C200 Engine Components



(1) Nominal full power performance at ISO conditions: 15°C (59°F), 14.696 psia, 60% RH
 (2) Microturbines intended for operation on Liquid Petroleum Gas (LPG) have limits for specific fuel constituents (e.g., butane)
 (3) Approximate dimensions and weights
 (4) Height dimensions are to the roofline. Exhaust outlet extends at least 0.13 m (5 in) above the roofline
 (5) Clearance requirements may increase due to local code considerations
 Specifications are not warranted and are subject to change without notice.

