

C1000S Microturbine

High-pressure Natural Gas

The Signature Series Microturbine provides 1MW of reliable electrical power in one small, ultra-low emission, and highly efficient package.



C1000S Power Package

Electrical Performance⁽¹⁾

| | |
|---------------------------|---------------------|
| Electrical Power Output | 1000kW |
| Voltage | 400/480 VAC |
| Electrical Service | 3-Phase, 4 Wire Wye |
| Frequency | 50/60 Hz |
| Electrical Efficiency LHV | 33% |

Fuel/Engine Characteristics⁽¹⁾

| | |
|-------------------|---|
| Natural Gas HHV | 30.7–47.5 MJ/m ³ (825–1,275 BTU/scf) |
| Inlet Pressure | 517–551 kPa gauge (75–80 psig) |
| Fuel Flow HHV | 12,000 MJ/hr (11,400,000 BTU/hr) |
| Net Heat Rate LHV | 10.9 MJ/kWh (10,300 BTU/kWh) |

Exhaust Characteristics⁽¹⁾

| | |
|------------------------------------|-----------------------------------|
| NOx Emissions @ 15% O ₂ | < 9 ppmvd (18 mg/m ³) |
| Exhaust Mass Flow | 6.7 kg/s (14.7 lbm/s) |
| Exhaust Gas Temperature | 280°C (535°F) |

Benefits

- Ultra-low emissions
- One moving part – minimal maintenance and downtime
- Patented air bearings – no lubricating oil or coolant
- Integrated utility synchronization – no external switchgear
- Compact modular design allows for easy, low-cost installation
- High electrical efficiency over a very wide operating range
- High availability – part load redundancy
- Remote monitoring and diagnostic capabilities
- Proven technology with tens of millions of operating hours
- Various Factory Protection Plans available

**Smarter Energy
for a Cleaner Future**

Dimensions & Weight⁽²⁾

| | |
|-----------------------------|--|
| Width x Depth x Height | 3.0 x 9.1 x 3.0 m (117 x 360 x 119 in) |
| Weight - Grid Connect Model | 17,100 kg (37,700 lbs) |
| Weight - Dual Mode Model | 20,650 kg (45,500 lbs) |

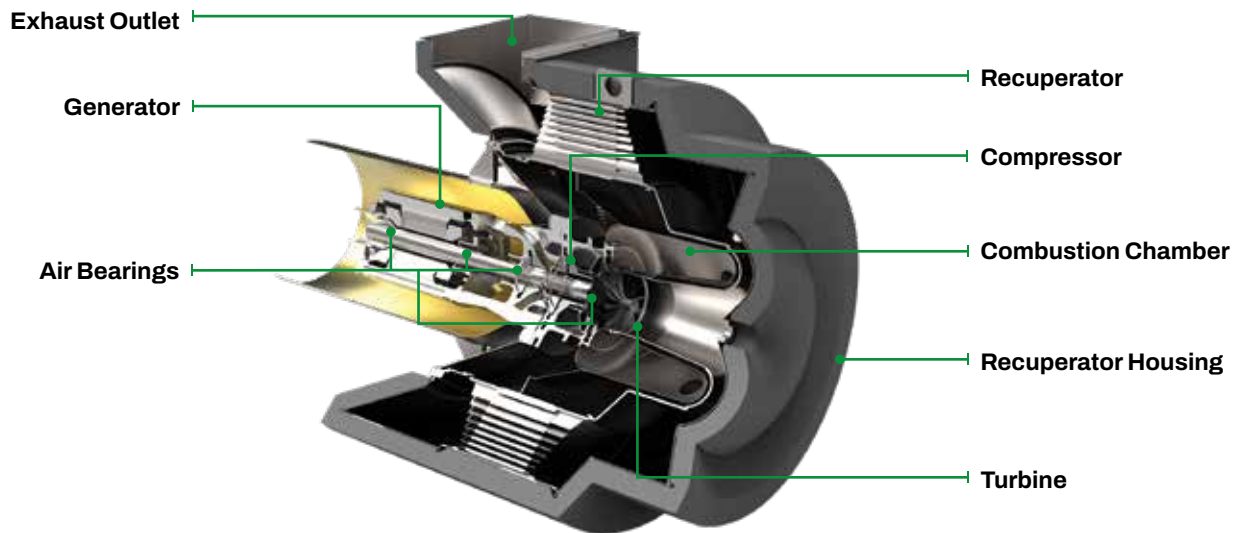
Minimum Clearance Requirements⁽³⁾

| | |
|----------------------|---------------|
| Horizontal Clearance | |
| Left | 1.5 m (60 in) |
| Right | 0.0 m (0 in) |
| Front | 1.7 m (65 in) |
| Rear | 2.2 m (85 in) |

Certifications

- UL 2200 Listed
- CE Certified
- Certified to the following grid interconnections standards:
UL 1741-SA, VDE, BDEW, CEI 0-16, AS4777
- Compliant to California Rule 21

C200 Engine Components



(1) Nominal full power performance at ISO conditions: 15°C (59°F), 14.696 psia, 60% RH

(2) Approximate dimensions and weights

(3) Clearance requirements may increase due to local code considerations

Specifications are not warranted and are subject to change without notice.