

# C1000S Microturbine

Liquid Petroleum Gas (LPG), ICHP

The Signature Series Microturbine provides ultra-low emissions and reliable electrical/thermal generation from LPG.



C1000S ICHP Power Package

## Electrical Performance<sup>(1)</sup>

Electrical Power Output	1000kW
Voltage	400/480 VAC
Electrical Service	3-Phase, 4 Wire Wye
Frequency	50/60 Hz
Electrical Efficiency LHV	33%

## Fuel/Engine Characteristics<sup>(1)</sup>

Liquid Petroleum Gas HHV	91.3–128.0 MJ/m <sup>3</sup> (2,450–3,436 BTU/scf)
Inlet Pressure	448–482 kPa gauge (65–70 psig)
Fuel Flow HHV	12,000 MJ/hr (11,400,000 BTU/hr)
Net Heat Rate LHV	10.9 MJ/kWh (10,300 BTU/kWh)

## Exhaust Characteristics<sup>(1)</sup>

Exhaust Mass Flow	6.7 kg/s (14.7 lbm/s)
Exhaust Gas Temperature	280°C (535°F) (Heat Recovery Bypassed)

## Benefits

- Ultra-low emissions
- One moving part – minimal maintenance and downtime
- Patented air bearings – no lubricating oil or coolant
- Integrated utility synchronization – no external switchgear
- Compact modular design allows for easy, low-cost installation
- High electrical efficiency over a very wide operating range
- High availability – part load redundancy
- Remote monitoring and diagnostic capabilities
- Proven technology with tens of millions of operating hours
- Various Factory Protection Plans available

**Smarter Energy  
for a Cleaner Future**

## Dimensions & Weight<sup>(2)</sup>

Width x Depth x Height	3.0 x 9.1 x 4.0 m (117 x 360 x 157 in)
Weight - Grid Connect Model, dry	21,200 kg (46,800 lbs)
Weight - Dual Mode Model, dry	24,750 kg (54,500 lbs)

## Minimum Clearance Requirements<sup>(3)</sup>

Horizontal Clearance	
Left	1.5 m (60 in)
Right	0.0 m (0 in)
Front	1.7 m (65 in)
Rear	2.2 m (85 in)

## ICHP Heat Recovery<sup>(4)</sup>

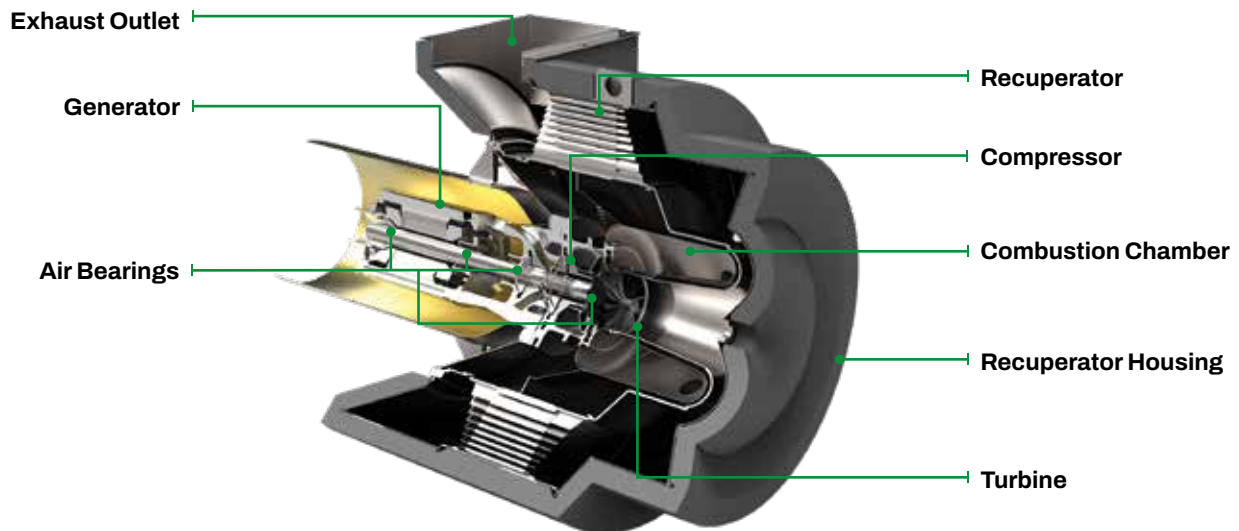
Hot Water Heat Recovery	1.5 MW (5.1 MMBtu/hr)
-------------------------	-----------------------

## Certifications

- CE Certified
- Certified to the following grid interconnections standards:
- UL 1741-SA, VDE, BDEW, CEI 0-16, AS4777

Compliant to California Rule 21

## C200 Engine Components



(1) Nominal full power performance at ISO conditions: 15°C (59°F), 14.696 psia, 60% RH

(2) Approximate dimensions and weights

(3) Clearance requirements may increase due to local code considerations

(4) Nominal heat recovery using 5 Heat Recovery Modules (HRM). Inlet water temperature of 38°C (100°F) and flow rate of 6.3 l/s (100 gpm) per HRM

Specifications are not warranted and are subject to change without notice.